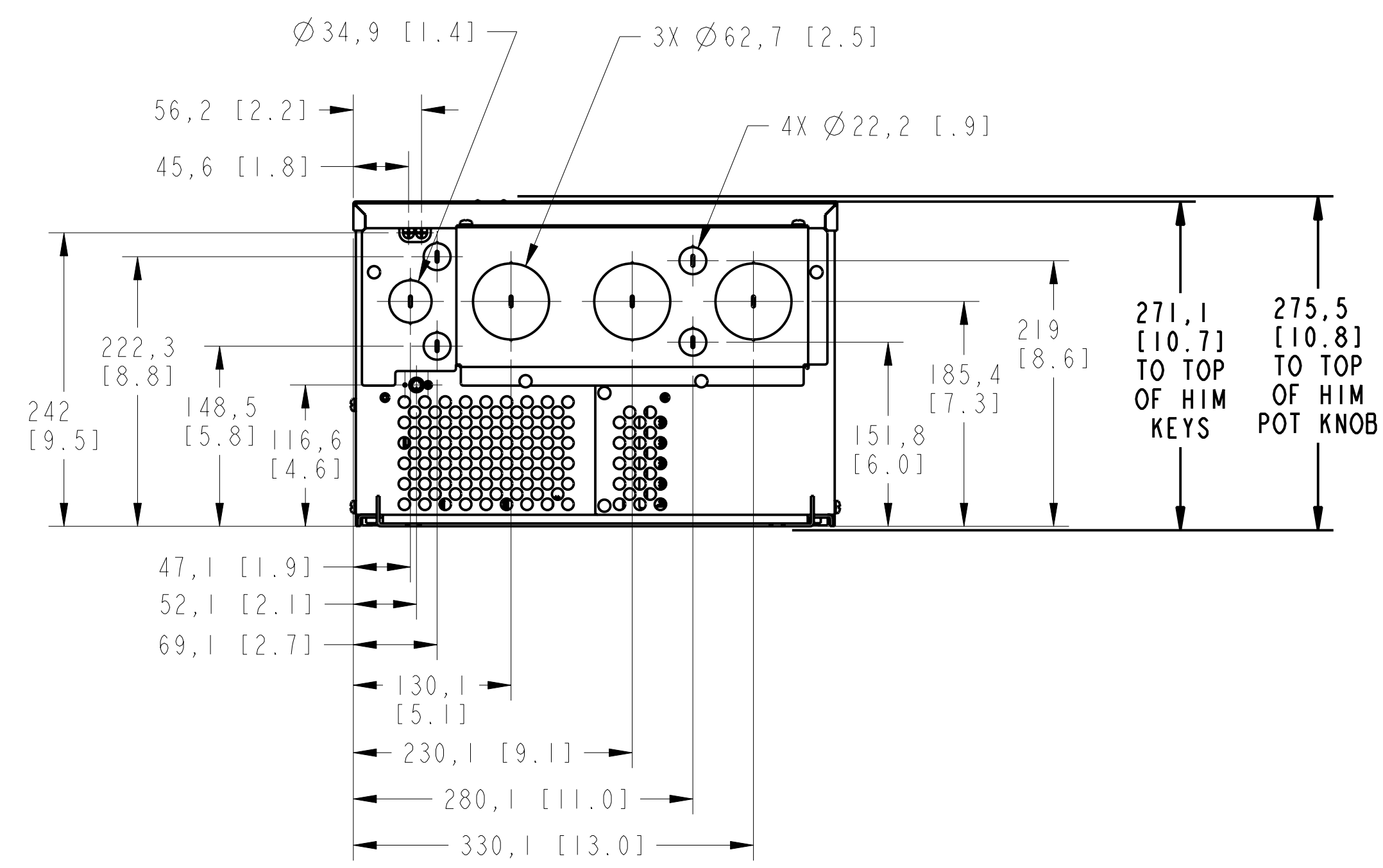
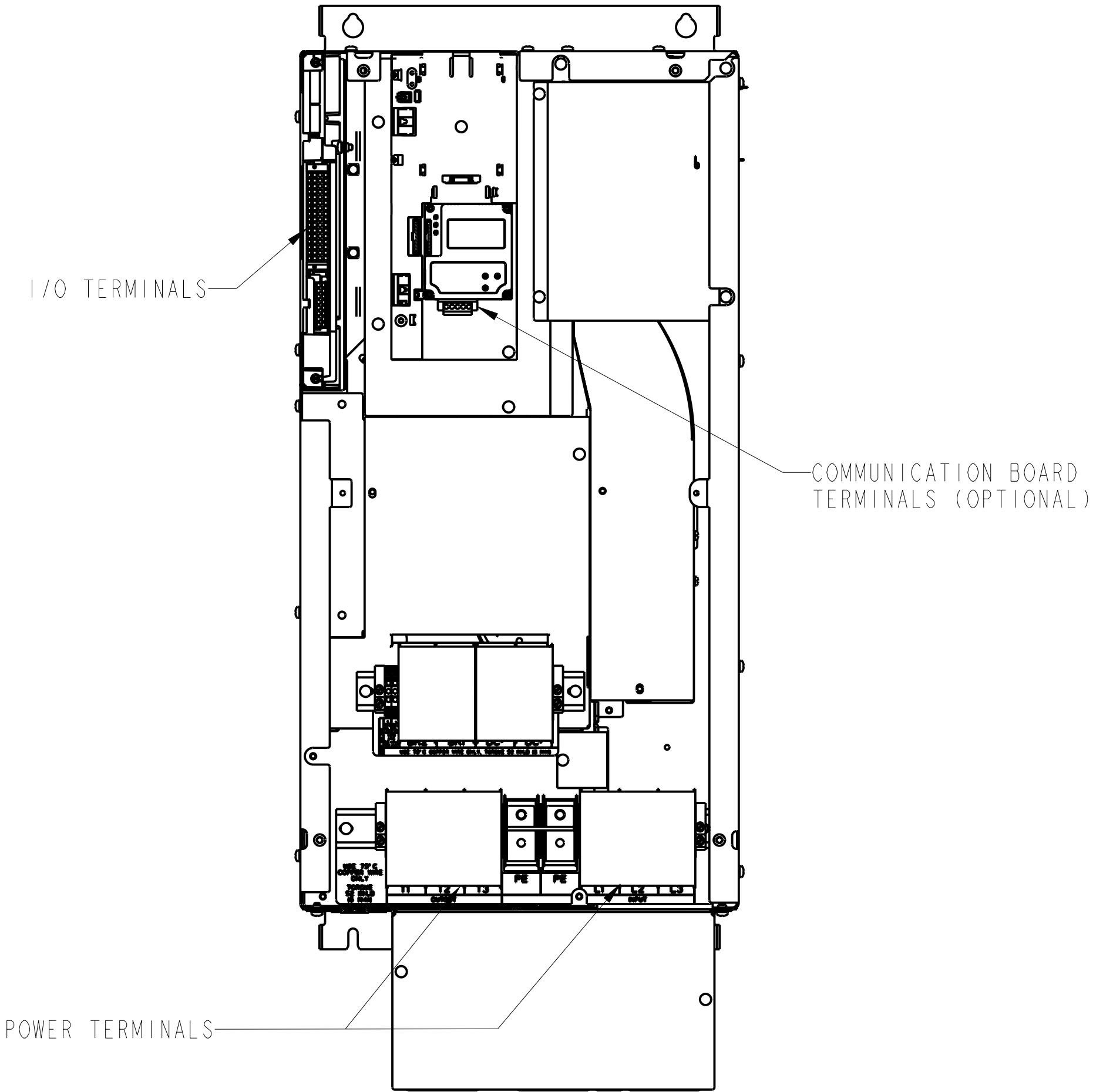
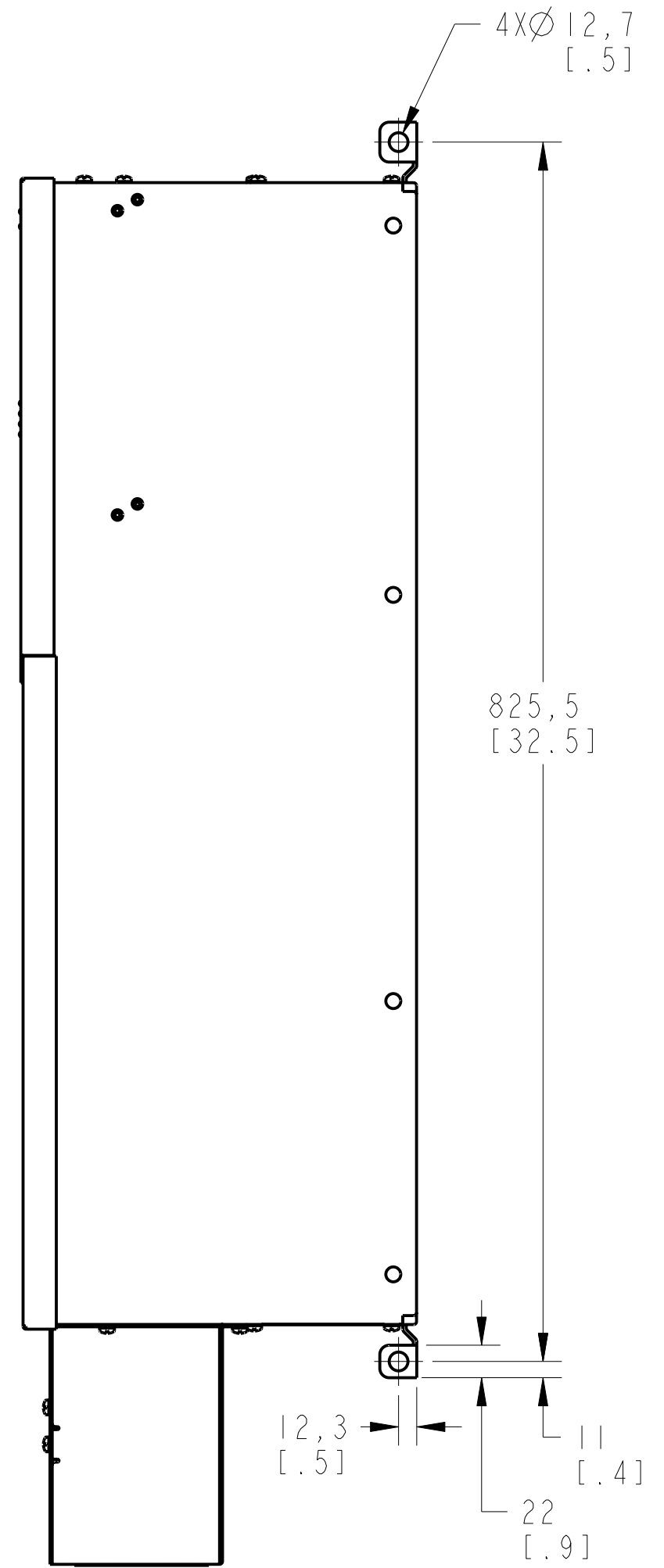


4X Ø8.5 [1.3]
2X Ø18 [7.1]

OPTIONAL HIM WITH SPEED POT

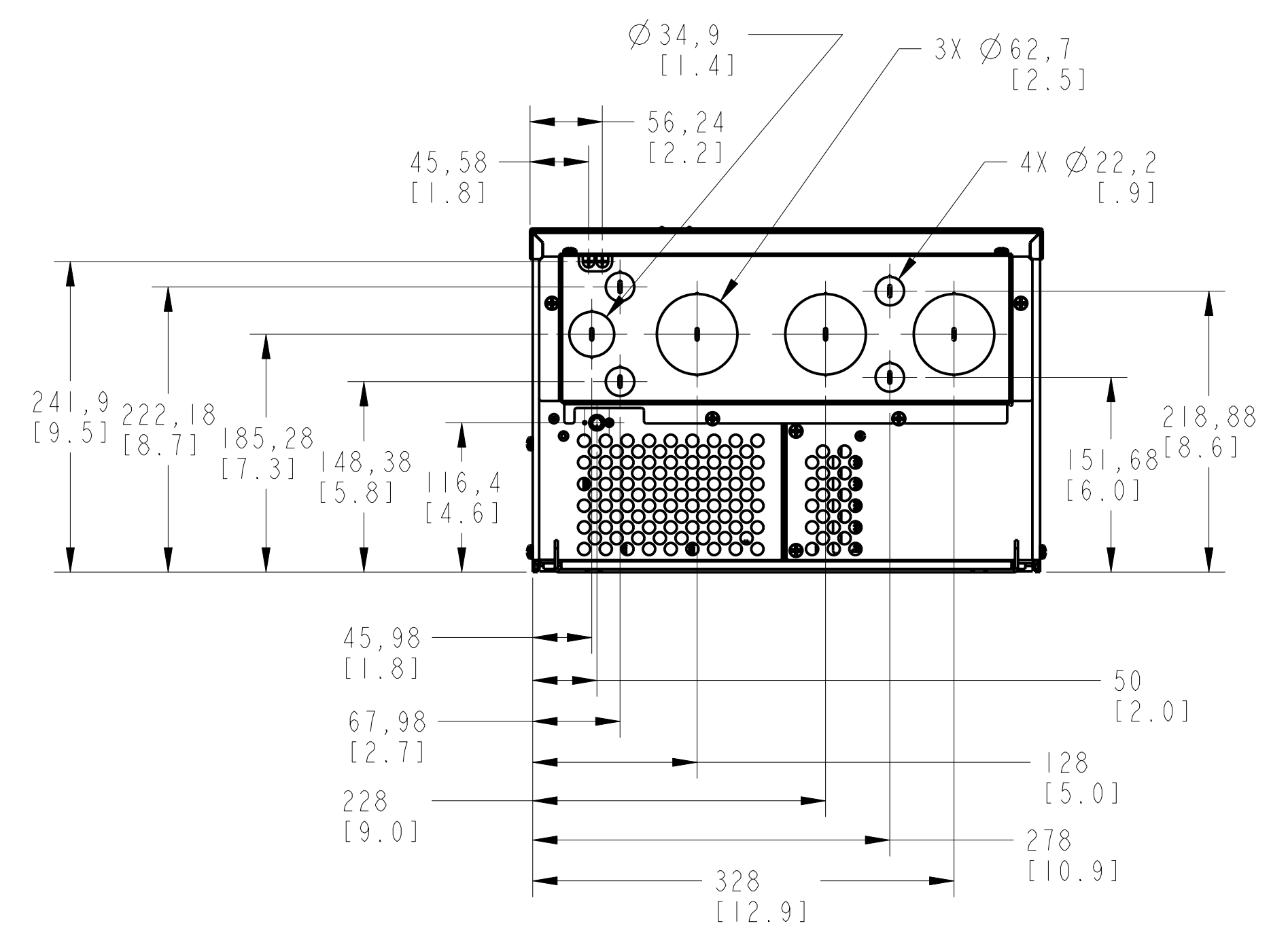
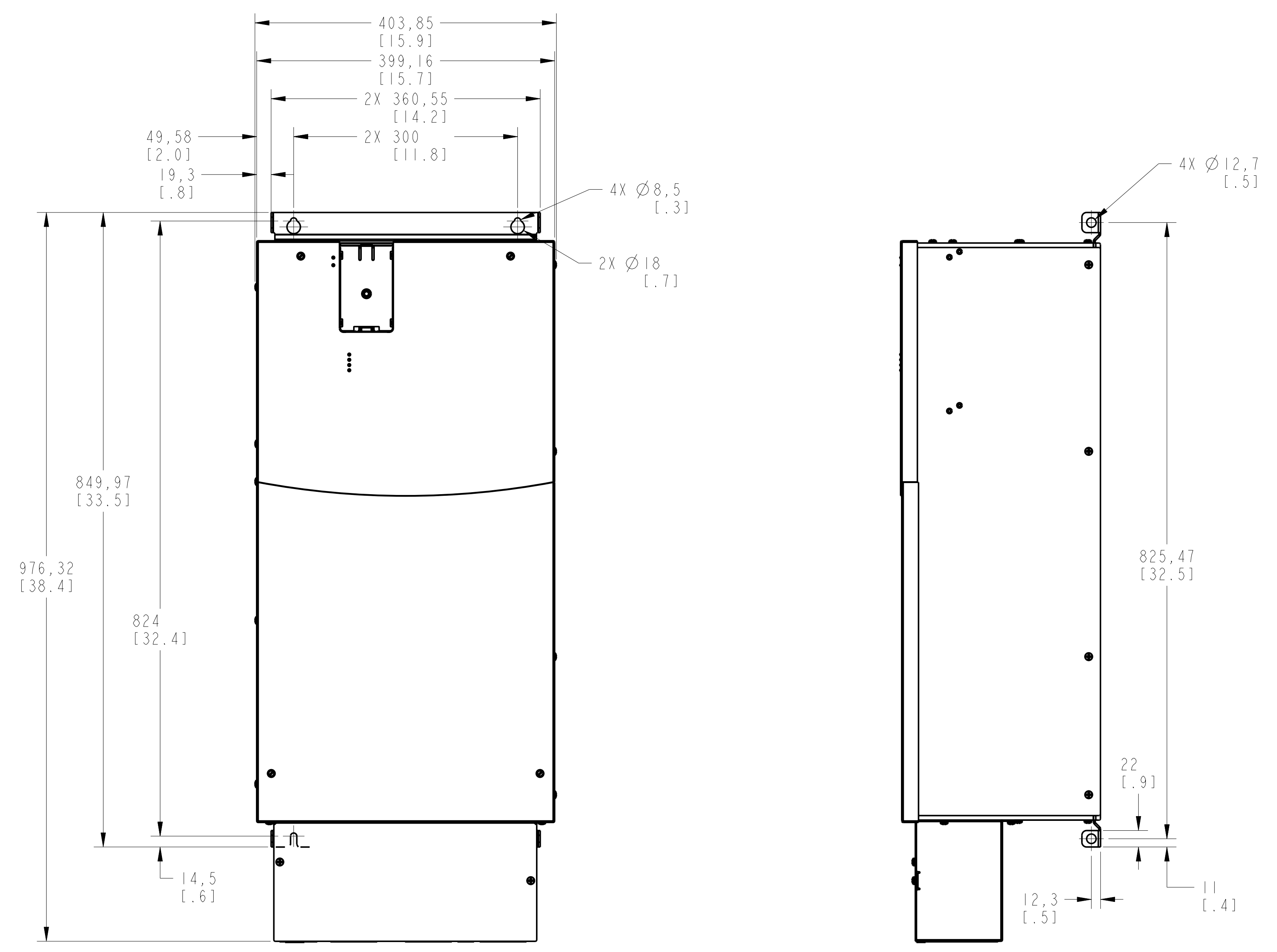


PARTS MUST CONFORM TO APPLICABLE ROCKWELL AUTOMATION MANUFACTURING STANDARDS
CAD DOCUMENT
FILE NAME 198807-6

REFERENCES		OUTLINE, POWERFLEX 700		CONFIDENTIAL AND PROPRIETARY INFORMATION THIS DOCUMENT CONTAINS CONFIDENTIAL AND PROPRIETARY INFORMATION OF ROCKWELL AUTOMATION, INC. AND MAY NOT BE USED, COPIED OR DISCLOSED TO OTHERS, EXCEPT WITH THE AUTHORIZED WRITTEN PERMISSION OF ROCKWELL AUTOMATION, INC.
REVISION AUTHORIZATION		FRAME 6 GEN 3		
DIMENSIONS APPLY BEFORE SURFACE TREATMENT DIMENSIONS IN MILLIMETERS		Rockwell Automation		
TOLERANCES UNLESS OTHERWISE SPECIFIED		DR. W.O. TOBIAS DATE 09-06-02		
.XX:± .5		SHEET 1 OF 2		
ANGLES:± 1°		DATE 09-09-02		
02 -		APPD. L. GETTELFINGER DATE 09-09-02		
01 92R0673		DWG. SIZE 198807-6		

1 2 3 4 5 6 7 8

A
B
C
D
E
F
G
H



PARTS MUST CONFORM TO APPLICABLE ROCKWELL AUTOMATION MANUFACTURING STANDARDS

CAD DOCUMENT

FILE NAME 198807-6

REFERENCES		OUTLINE, POWERFLEX 700		CONFIDENTIAL AND PROPRIETARY INFORMATION	
REVISION	DIMENSIONS APPLY BEFORE SURFACE TREATMENT	FRAME 6	DR. W.O.TOBIAS	DATE 09-06-02	THIS DOCUMENT CONTAINS CONFIDENTIAL AND PROPRIETARY INFORMATION OF ROCKWELL AUTOMATION, INC. AND MAY NOT BE USED, COPIED OR DISCLOSED TO OTHERS, EXCEPT WITH THE AUTHORIZED WRITTEN PERMISSION OF ROCKWELL AUTOMATION, INC.
AUTHORIZATION	DIMENSIONS IN MILLIMETERS	GEN 3	CHKD. L.GETTELFINGER	DATE 09-09-02	
	TOLERANCES UNLESS OTHERWISE SPECIFIED	Rockwell Automation	APPD. L.GETTELFINGER	DATE 09-09-02	SHEET 2 OF 2
02	.XX:± .5				DWG. SIZE
01	ANGLES:± 1°				198807-6
					D